

Pre-Rinse Spray Valve



Niagara's Power Rinser Pre-Rinse Spray Valve produces a vigorous spray pattern that offers high performance and water-saving efficiencies. The rinser uses only 1.1 GPM and is certified by the Food Services Technology Center.

Features

- Solid brass fitting means no leaks
- Interchangeable with all brands
- Standard, protective, full surrounding dish guard bumper
- High power fan spray, width measures 3" wide minimum at a distance of 9" from spray nozzle
- Convenient always on handle clip for constant flow
- 5 year warranty**

Certification and Performance Requirements

- ASME A112.18.1 / CSA B125.1, ANSI/NSF 61

Model #	Finish	Flow Rate	Watersense	Case Qty
N2180-1.1	Green	1.1 GPM	No	20

Potential Annual Savings*

	Flow Rate	Water	Electric Heating	Gas Heating
Dollar Savings	1.28 GPM	\$109	\$199	\$93
Utility Savings	1.28 GPM	9,811 Gallons	1,764 kWh	82 Therms

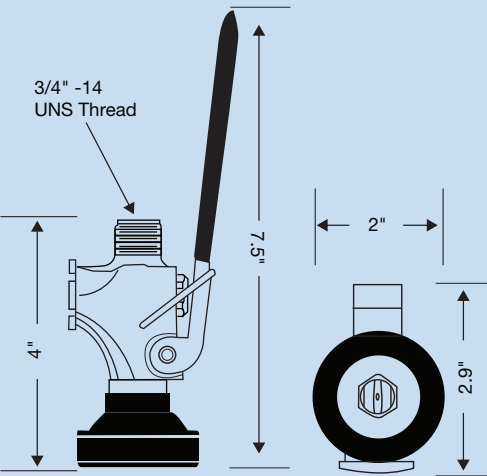
*Factors in calculating savings potential:

- Operating hours per day: 1.4 (http://www.epa.gov/watersense/docs/final_epa_prsv_study_report_033111v2_508.pdf)
- Comparing water use with this pre-rinse spray valve vs. a standard 1.6 GPM unit
- US city average water and sewer cost of \$8.3 per 1,000 gallons (study done by NUS Consulting Group 2011)
- Temperature rise through heater: 70°F (<http://www.fishnick.com>)
- 0.113¢ per kWh (Energy Star Nov. 2013 Lightbulb Calculator — http://www.energystar.gov/?c=cfls_pr_cfls_savings)
- Average cost of gas \$0.131 per therm (Bureau of Labor Statistics Sept 2012)

**WARRANTY DETAILS

AM Conservation Group, Inc. guarantees to the original purchaser or recipient of this pre-rinse valve that it is free from defects in material and workmanship for a period of 5 years. AM Conservation Group, Inc. will at our choice replace any part of the pre-rinse valve which is in our opinion defective provided that the product has not been abused, misused, altered, or damaged after its purchase. This includes damage due to the use of tools or harsh chemicals. In the event a product has been discontinued, AM Conservation Group, Inc. will replace it with what we determine to be the closest product. AM Conservation Group, Inc. is not responsible for labor charges, installation, or other consequential cost. AM Conservation Group, Inc.'s responsibility shall not exceed the original cost of the product.

Dimensions



*Dimensions are subject to change

